



Foundations of Woods

Project Book 1-Chapter 7: Paper towel holder, step stool, and tote box

May 21, 2020



9-12 Foundations of Woods
Project Book 1-Chapter 7 : [May 21, 2020]

Objective/Learning Target:

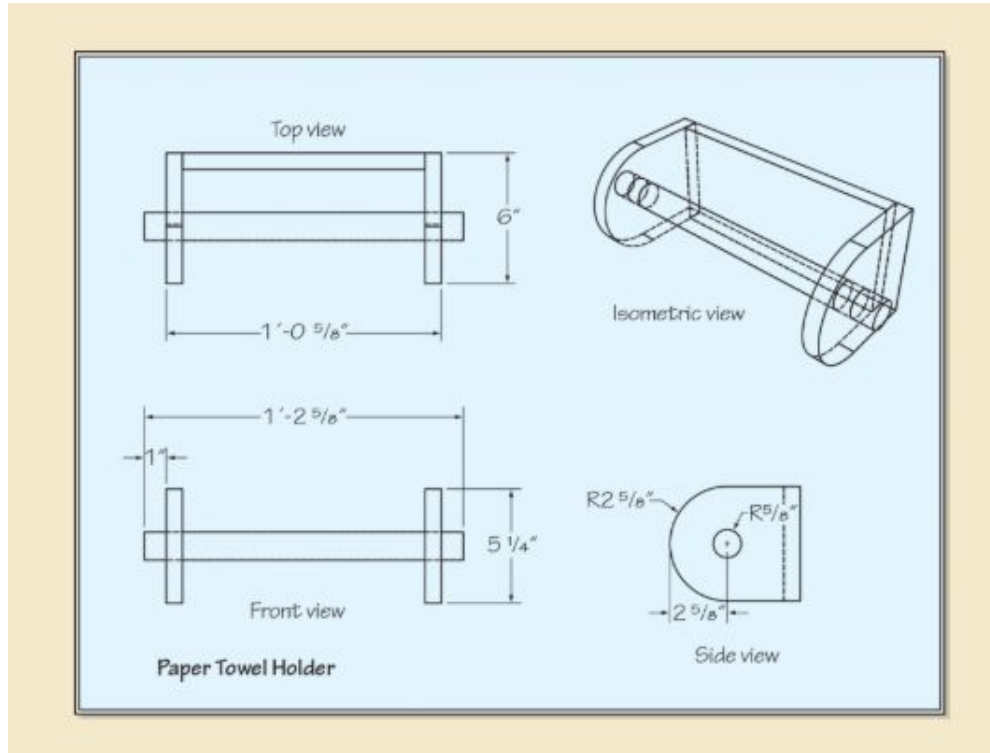
Students will learn about different power tools used for fastening and finishing and how to use them properly.

EXPECTATIONS FOR PROJECTS

- No gaps in joints, no shiners, and no splits
- Dimensions match those in the drawing
- Fasteners entered to the correct depth
- Hand hole centered on top piece
- Surfaces free of excess adhesives
- Curves be smooth with no flat spots
- No dents left by the clamps

CUT LISTS FOR EACH PROJECT

HOW MANY PIECES SHOULD BE ON YOUR CUT LIST?



SAFETY PRECAUTIONS

- MAKE SURE YOU ARE FOLLOWING THE SAFETY PRECAUTIONS WE PREVIOUSLY TALKED ABOUT WHEN WORKING WITH HAND TOOLS AND POWER TOOLS.
- ALWAYS WEAR SAFETY GLASSES AND HAVE THE PROPER PPE.